



FOR OVER FORTY YEARS

FOREMOST

TARP CO.

“The most trusted name in tarps.”

Foremost Tarp Company is one of the largest distributors of tarps in the United States. For over 40 years, customer satisfaction has been our number one priority. Our customers value our traditional business ethics operated in a sophisticated business environment.

FOREMOST
REUSABLE
BAG



Foremost Tarp Company and our Dry Top® brand of products have been synonymous with quality. We have carried our attention for function and durability into our Foremost Reusable Bag program. Our hand picked designs and multiple styles fit well in most retail settings. In addition to our in-stock and ready to ship bags, we can create custom bags to help promote your business.

2023/24 CATALOG

1-800-854-8284 fax: 253-854-3197

www.foremosttarp.com • www.foremostbags.com



1-800-854-8284
 FAX 253-854-3197
 info@foremosttarp.com
 www.foremosttarp.com

GOOD

BETTER **X**

BEST



GOOD

BETTER

BEST **X**

F



**DRY TOP
TARP**
REVERSIBLE

ITEM #	FINISHED SIZE	CASE PACK
10057	5' X 7'	50
10068	6' X 8'	40
10810	8' X 10'	25
10816	8' X 16'	15
10912	9' X 12'	20
11012	10' X 12'	20
11014	10' X 14'	12
11020	10' X 20'	10
11216	12' X 16'	10
11220	12' X 20'	10
11224	12' X 24'	8
11230	12' X 30'	6
11620	16' X 20'	6
11624	16' X 24'	6
11824	18' X 24'	5
12020	20' X 20'	4
12030	20' X 30'	3
12436	24' X 36'	2
12640	26' X 40'	2
13040	30' X 40'	2
13060	30' X 60'	1
14060	40' X 60'	1
15010	50' X 100'	1
11100	100' X 100'	1

PRODUCT SPECS

Available in Blue or Brown/Green Reversible • 10 X 8 Weave • 2.9 oz/sq. yard • Approx. 7 mil
 Aluminum Grommets Approx. Every 36" • Rope Reinforced Hem • **Full Finished Size** • Display Boxes

**DRY TOP
TARP**
REVERSIBLE

ITEM #	FINISHED SIZE	CASE PACK
20068	6' X 8'	25
20810	8' X 10'	15
21010	10' X 10'	12
21012	10' X 12'	10
21015	10' X 15'	8
21020	10' X 20'	6
21216	12' X 16'	6
21220	12' X 20'	5
21224	12' X 24'	4
21554	15' X 54'	1
21620	16' X 20'	4
21824	18' X 24'	3
22020	20' X 20'	3
22030	20' X 30'	2
22040	20' X 40'	1
22452	24' X 52'	1
22533	25' X 33'	1
22640	26' X 40'	1
22848	28' X 48'	1
23040	30' X 40'	1
23060	30' X 60'	1
24060	40' X 60'	1
25010	50' X 100'	1
20100	100' X 100'	1

PRODUCT SPECS

Available in Silver/Brown Reversible or White • 14 x 14 Weave • 5.5 oz/sq. yard • Approx. 10 mil • Aluminum Grommets Approx. Every 18"
 Rope Reinforced Hem • U.V. Resistant • Heavy Duty Plastic Cap Reinforced Corners • **Full Finished Size** • Display Boxes



Equipped with **Sunguard** U.V. coating, designed for extra-heavy duty protection, keeping covered surfaces cooler and less exposed to U.V. radiation.

**DRY TOP
TARP**
WHITE

ITEM #	FINISHED SIZE	CASE PACK
30810	8' X 10'	15
31012	10' X 12'	10
31015	10' X 15'	8
31020	10' X 20'	6
31216	12' X 16'	6
31220	12' X 20'	5
31620	16' X 20'	4
31824	18' X 24'	3
32020	20' X 20'	3
32030	20' X 30'	2
33040	30' X 40'	1
34060	40' X 60'	1

Protection



Seasonal Storage



We were the first to introduce both full finished size and reversible tarps.

Outdoor Recreation



Storage



Canopy Replacement



Emergency



F



BEST

SUPER HEAVY DUTY



F

DRY TOP HAY
AGRICULTURAL



DRY TOP TARP CANVAS

ITEM #	CUT SIZE	CASE PACK
61260	12' X 60'	1
61554	15' X 54'	1
62048	20' X 48'	1
62352	23' X 52'	1
62533	25' X 33'	1
62548	25' X 48'	1
62554	25' X 54'	1
62848	28' X 48'	1
63348	33' X 48'	1

PRODUCT SPECS

Silver/Black Reversible • 14 X 14 Weave • 6.5 oz/sq. yard
Approx. 12 mil • Brass Grommets • Rope Reinforced Hem
Heavy Duty Nylon Webbing Along Edges • Reinforced Corners
U.V. Treated • Made With Heavy Duty Black Yarn for Inherent U.V. Resistance

ITEM #	CUT SIZE	CASE PACK
60068	6' X 8'	5
60079	7' X 9'	5
60810	8' X 10'	4
60812	8' X 12'	3
61012	10' X 12'	2
61014	10' X 14'	2
61016	10' X 16'	1
61216	12' X 16'	1
61224	12' X 24'	1
61620	16' X 20'	1
62030	20' X 30'	1

PRODUCT SPECS

Drab Green • 16-18 oz/sq. yard • Water/Mildew Resistant
Super Heavy Duty Industrial Canvas • Double Stitched Hems and Seams • Brass Grommets Approx. Every 18"

DRY TOP TARP TRUCK



PRODUCT SPECS

Black 14 x 14 weave • Super Heavy Duty Industrial Polyethylene
Approx. 12 mil • Rope Reinforced Hem • Strong Metal D-Rings Located on Edge Approx. Every 18" • Heavy Duty Reinforced Corners
UV Treated • Brass Grommets

ITEM #	CUT SIZE	CASE PACK
50079	7' X 9'	6
50810	8' X 10'	5
50812	8' X 12'	5
51012	10' X 12'	3
51014	10' X 14'	3
51124	11' X 24'	3

SUPER HEAVY DUTY!

DRY TOP TARP IRRIGATION DAM

PRODUCT SPECS

Orange • 10 x 10 Weave
Cut Size • 3.2 oz/sq. yd.
Approx. 8 mil • Display Boxes

ITEM #	CUT SIZE	CASE PACK
70047	4' X 7'	25
70057	5' X 7'	25
70058	5' X 8'	25
70068	6' X 8'	25
70079	7' X 9'	25
70710	7' X 10'	25
70810	8' X 10'	25
70712	7' X 12'	25
70814	8' X 14'	25
76100	6' X 100'	1 Roll
77100	7' X 100'	1 Roll
78100	8' X 100'	1 Roll
79100	9' X 100'	1 Roll
71100	10' X 100'	1 Roll

DRY TOP TARP CAMOUFLAGE

PRODUCT SPECS

Camo Pattern • 10 X 8 Weave
2.9 oz/sq. yard • Approx. 7 mil
Rope Reinforced Hem • Aluminum Grommets Approx. Every 36"
Display Boxes

ITEM #	CUT SIZE	CASE PACK
40810	8' X 10'	25
41012	10' X 12'	20
41216	12' X 16'	10
41620	16' X 20'	6
42030	20' X 30'	3

DRY TOP TARP IRRIGATION DAM

PRODUCT SPECS

Green • 14 x 14 Weave • Cut Size
5.5 oz/sq. yd. • Heavy Duty
Approx. 10 mil • Display Boxes

ITEM #	CUT SIZE	CASE PACK
72068	6' X 8'	25
72079	7' X 9'	20
70712	7' X 12'	20
72610	6' X 100'	1 Roll
72710	7' X 100'	1 Roll
72810	8' X 100'	1 Roll
72910	9' X 100'	1 Roll
72100	10' X 100'	1 Roll

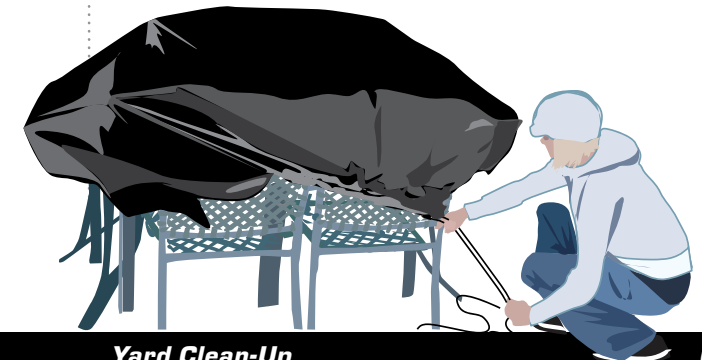
Both the orange and green cut size irrigation dams have heat sealed and sewn hem "pockets" to accommodate a wooden 2"x 4" or metal pipe.

DRY TOP TARP DRAWSTRING

PRODUCT SPECS

Black • 10 X 10 Weave
3.2 oz/sq. yard • Approx. 8 mil
Nylon Drawstring • Display Boxes

ITEM #	CUT SIZE	CASE PACK
50066	6' X 6'	30
50099	9' X 9'	15



Agriculture

Spiral Anchor Pin

Covered Loads

Outdoor Storage

Irrigation Dams

Yard Clean-Up

Camouflage



Our canvas is treated to resist water and mildew. Ideal for machinery, emergency preparedness, or covering anything kept outdoors.



Heavy duty drawstring roped edges with openings at all four corners for easy chincing. Ideal for backyard fire pits, sandbox cover, patio furniture storage, BBQ covers and landscaping.



ECONOMY TARP
BLUE

ITEM #	CUT SIZE	CASE PACK
80057	5' X 7'	50
80068	6' X 8'	40
80810	8' X 10'	25
81012	10' X 12'	20
81020	10' X 20'	10
81216	12' X 16'	10
81620	16' X 20'	6
82030	20' X 30'	3
82040	20 x 40	2
83040	30 x 40	1
83050	30 x 50	1
83060	30' X 60'	1
84060	40 x 60	1

PRODUCT SPECS
Available in Blue or Brown/Green Reversible • 8 X 7 Weave
Approx. 5 mil • Aluminum Grommets Approx. Every 36"
Rope Reinforced Hem • **Cut Size**



ECONOMY PALLET COVER
BLUE

ITEM #	SIZE	CASE PACK
40454	4' X 5' X 4'	15

PRODUCT SPECS
Great for in store use or retail • Fits standard size pallets
Aluminum grommets at all 4 corners

COMPLETE CANOPY SYSTEM!

Multipurpose canopy kit. Great for outdoor events, living space, patio cover or storage. Canopy kit includes poles, joints, resin feet, valanced cover and ball bungees.



ANCHORING

ITEM #	DESCRIPTION	CASE PACK
60001	Spiral Anchor Pin	50
73005	4 Piece Anchor Kit	1

GROMMET REPLACEMENT

ITEM #	DESCRIPTION	CASE PACK
70002	Heavy Duty Clips	50

Display Box • Individually UPC Tagged

DRY TOP CANOPY
WHITE

ITEM #	SIZE
73102	10' X 20'

REPLACEMENT PARTS

ITEM #	DESCRIPTION	CASE PACK
73001	White Nylon Foot Pad	10
73002	Enclosure Kit	1
73003	3-Way White Steel Canopy Connector	10
73004	4-Way White Steel Canopy Connector	10
73006	Replacement Cover w/Valance (White)	1
73152	52" White Steel Canopy Pole	10
73168	68" White Steel Canopy Pole	10

PRODUCT SPECS

10' Wide x 20' Long x 9' Tall (at peak) • White Powder Coated Steel Poles and Joints • White Heavy Duty Polyethylene Valanced Cover • U.V. Resistant • Strong Resin Feet Heavy Duty Ball Bungees

DRY TOP FENCE
SAFETY

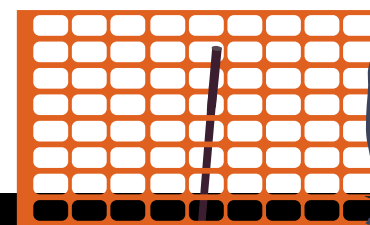
ITEM #	SIZE
70450	4' X 50'
74100	4' X 100'

PRODUCT SPECS

Safety Orange or Garden Green • U.V. Stabilized Approx. 1 Year
Mesh Approx. 4" x 2" • Weight Approx. 3.5 lbs & 7 lbs
Individually Wrapped & Labeled

DRY TOP FENCE
GARDEN

ITEM #	SIZE
71450	4' X 50'
71410	4' X 100'



FASTENERS

5" WHITE BALL BUNGEE CORD

ITEM #	SIZE
73501	5"

9" BLACK BALL BUNGEE CORD

ITEM #	SIZE
75901	9"

Heavy-Duty • 150-Piece Master Carton
Individually UPC Tagged • Display Box



Work Site Safety

Garden Definition

Outdoor Use

Anchor Kit

Grommet Replacement

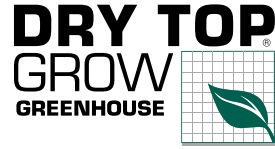
Canopy with Enclosure Kit

Quality Fastening



DRY TOP® GREENHOUSES

Good for both industrial and residential applications with a heavy-duty, powder coated steel frame that provides durability for extended use. Strong metal ratchets hold cover securely to frame, while the double zipper door allows for easy access. Durable translucent polyethylene cover allows U.V. light in.



GREENHOUSE ITEM #	SIZE
43006	6' X 6' X 6'
43101	10' X 10' X 8'
43102	10' X 20' X 8'

PRODUCT SPECS

Heavy-Duty Grey Powder-Coated Steel Frame • Fitted Polyethylene Cover • Fitted Rear Wall Panel with Zippered Vent
Double-Zippered Front Door • 15" Metal Anchors • Metal Ratchet Sets



1-800-854-8284
fax: 253-854-3197
foremosttarp.com



FOREMOST
REUSABLE
BAG

2023/24 CATALOG



STANDARD SHOPPING BAG



EXTRA LARGE HEAVY DUTY BAG



STANDARD SHOPPING BAG

ITEM #	DESC.	CASE PACK
70054Std. Blue Square	25
70064Std. Green Square.....	25
70074Std. Grey Square.....	25
70084Std. Red Square	25



READY TO SHIP NOW!

This bag is durable, washable, packable and perfect for many things, such as: general shopping bag (not just for groceries), beach bag, quick cleanup for the unannounced Mother-in-law "pop in", camping gear, swim lessons, ski gear, pseudo-suitcase, muddy boots, farmers market, backseat garbage bag, or anything that needs carrying (but, not kids).

Fun Facts: Three of these will fit side by side in one of our Extra Large Heavy Duty bags. Because it is made of woven polypropylene, it is durable and easily washable with a mild soap and water. Wipe or line dry.

ARTIST SERIES STANDARD SHOPPING BAG

ITEM #	DESC.	CASE PACK
70014Standard Moose.....	25
70024Standard Mountain	25
70034Standard Blue Tropical	25
70044Standard Red Tropical	25



PRODUCT SPECS

Approx. Dimensions 12" Wide x 7" Deep x 16" Tall • 22 Liter Volume • 140 gsm Woven Polypropylene • Self Standing /Fold Flat Design
Strong Polypropylene Handles • Made From 30% • Number 5 Recyclable • Scannable UPC on Bag Bottom

Artwork © Erik Abel 2018. All Rights Reserved. www.abelarts.com

This bag is durable, washable, packable and perfect for many things, such as:

carrying that 50 pack of razors, 2 rotisserie chickens and 18 pack of muffins you just bought at your favorite "club store", barn bag, yard cleanup, laundry, gear of all kinds (skiing, camping, hiking, sports, you get the idea), beach/boat bag, spectator bag (holds a couple of bleacher seats, red cups, snacks and a blanket), stand in it to take off a wetsuit or muddy clothes, keep everyone's junk separated and organized in the back of the car or garage. This bag is the top of our list for versatility. It has handles that wrap around the bag for increased weight capacity and two handle lengths for easy carrying.

EXTRA LARGE HEAVY DUTY BAG

ITEM #	DESC.	CASE PACK
70003XL Heavy Duty Blue Square	25
70013XL Heavy Duty Green Square.....	25
70023XL Heavy Duty Grey Square.....	25
70033XL Heavy Duty Red Square	25



PRODUCT SPECS

Approx. Dimensions 21" Wide x 13" Deep x 14.5" Tall • 64.9 Liter Volume • 160 gsm Woven Polyethylene
Nylon Handles Wrap Around Bag Body for Structure and Heavier Load Capacity • Dual Handle Lengths • Made From 20%
Scannable UPC Hang Tag • Available in 4 Colors with Subtle Pattern • Easily Washable and Durable



This bag is durable, washable, packable and perfect for many things, such as: your lunch, a wet swimsuit, shopping bag, gifting something new, re-gifting something atrocious, small trinkets, airplane carry-on, general catch all, farmers market, muddy shoes or sandy flip-flops, chicken transport (live or fried), "thumbing it" cross country (although not recommended), camping gear, stinky & damp ski gear, carrying bullfrogs, and so much more. Because it is made of woven polypropylene it is easily washable with a mild soap and water. Wipe or line dry.

SINGLE GIFT BAG

ITEM #	DESC.	INNER PACK
71101-A	Avocado Single.....	20
71101-G	Soft Geo Single.....	20



3-PACK GIFT BAG

ITEM #	DESC.	INNER PACK
71101-B3	Birds on a Wire 3-Pack.....	10
71101-G3	Modern Geo 3-Pack.....	10



PRODUCT SPECS.

Approx. Dimensions 9" Wide x 7.5" Deep x 10.5" Tall • 11.5 Liter Volume • Self Standing /Fold Flat Design
 Strong 100% Polypropylene Handles • Made From 30% • Number 5 Recyclable • Scannable UPC on Bag Bottom

These Insulated bags are durable, washable, packable and perfect for many things, such as: keeping hot stuff hot and cold stuff cold (obviously). Take a fresh pie to Grandma, share a cold beverage with your friends, surprise your loved one with a picnic, go ahead and take the long way home with that ice cream you just bought, or pass off the still hot take-out meal as your own. Because it is made of woven polypropylene it is easily washable with a mild soap and water. Wipe or line dry.

MEDIUM INSULATED BAG

ITEM #	DESC.	INNER PACK
71301-G	Geo M. Insulated.....	10
71301-M	Midcentury Vines M. Insulated	10
71301-S	Shag M. Insulated.....	10
71301-T	Tropical Leaves M. Insulated.....	10



PRODUCT SPECS.

MEDIUM – Approx. Dimensions 12" Wide x 6" Deep x 15" Tall • 17.7 Liter Volume
LARGE – Approx. Dimensions 17" Wide x 8.5" Deep x 15" Tall • 35 Liter Volume

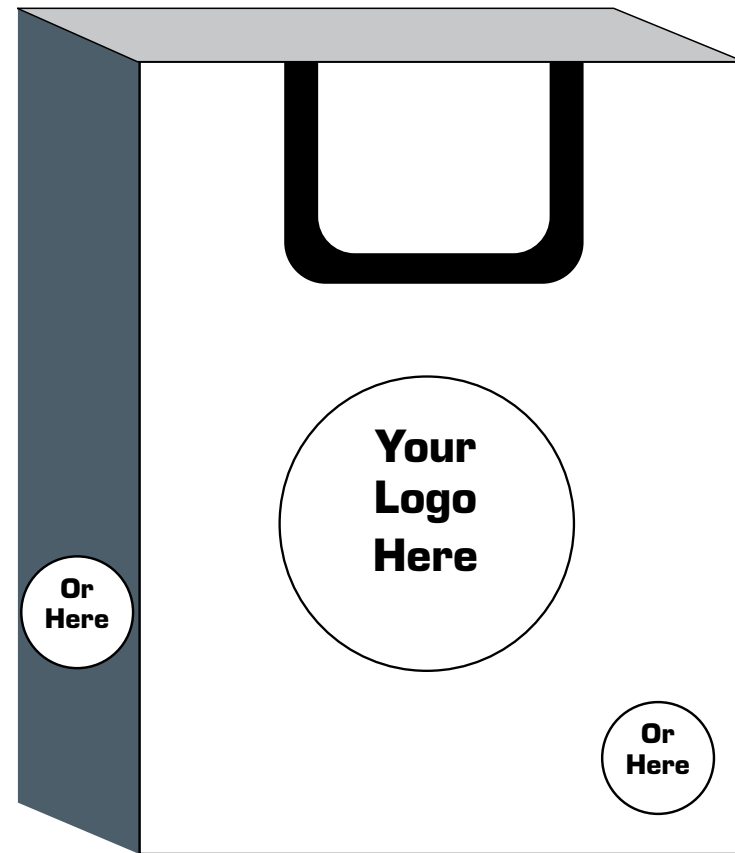
Woven Polypropylene • EPE Foam Insulation • Self Standing /Fold Flat Design
 Strong 100% Polypropylene Handles • Made From 30% • Scannable UPC on Bag Bottom • Inner Pack Qty 10 • Master Pack Qty 50

LARGE INSULATED BAG

ITEM #	DESC.	INNER PACK
71401-B	Blue Dots L. Insulated.....	10
71401-G	Grey Dots L. Insulated.....	10
71401-W	Waves L. Insulated.....	10
71401-GS	Grey Square L. Insulated.....	10



ALSO AVAILABLE
Completely Custom Bags!



FOREMOST REUSABLE BAGS

We are new to bags, but have been in the woven poly tarp business for over 40 years. Foremost Tarp Company and our Dry Top® brand of products are synonymous with quality. We feel there is very little difference between a single use plastic bag and that of a low quality “re-usable” bag. We have carried our attention for function and durability into our reusable bag program.

NOT JUST FOR GROCERIES!

Our bags are currently offered in 5 sizes with multi-purpose in mind. Sturdy and easily washable, the Foremost Reusable Bag is ideal for shopping, camping, storage, jobsite, car trunk, boating, gift bag, beach, laundry, ski gear, muddy or wet clothes, sports equipment, the barn and so much more.

FROM EXPENSE TO PROFIT

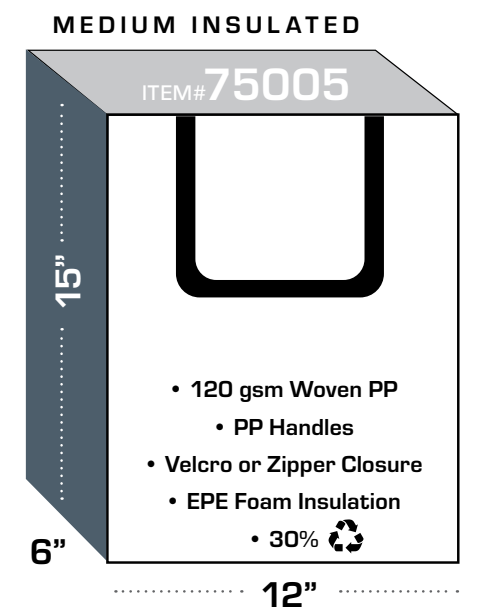
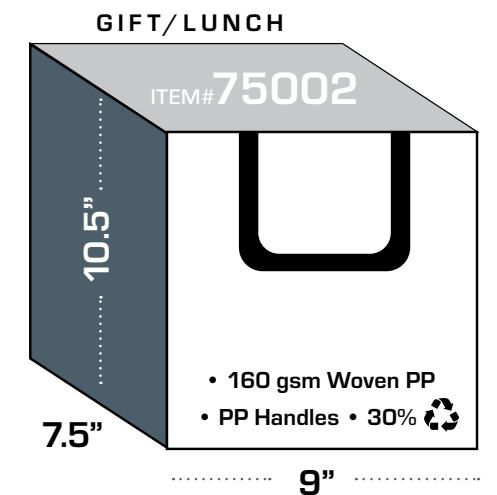
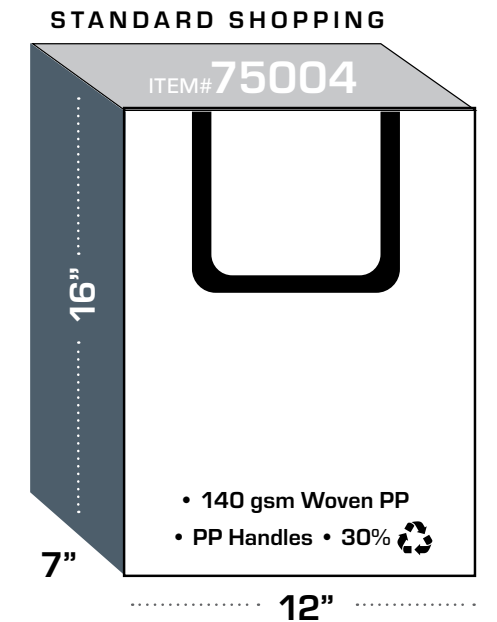
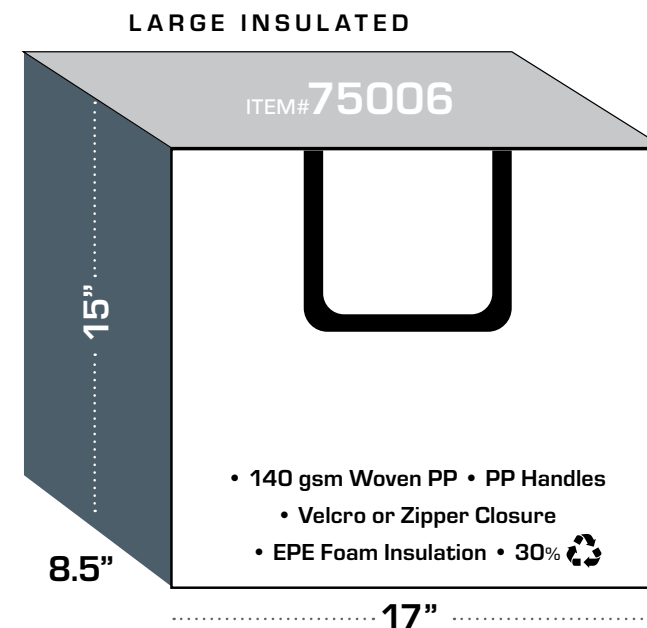
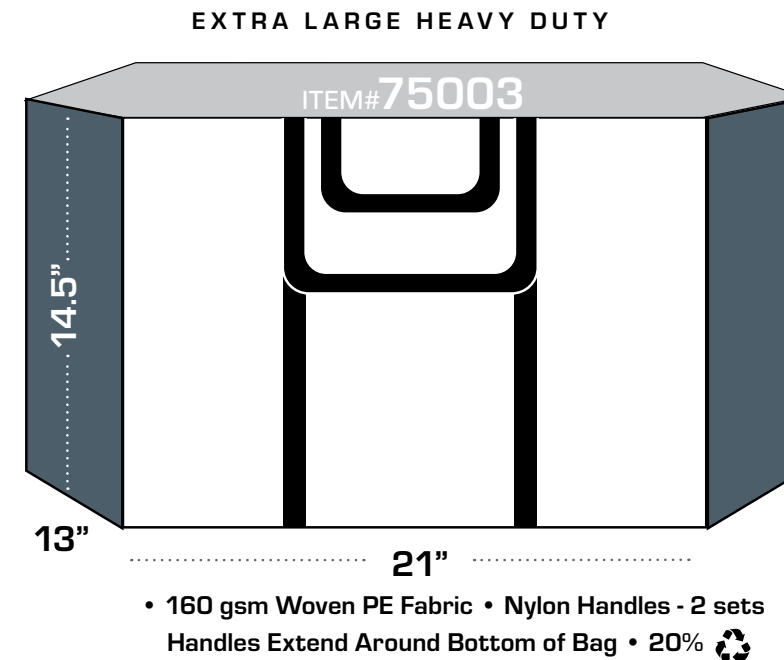
We have hand-picked all of our bag patterns and designs because we feel a durable, great looking bag (even with a slightly higher retail) will generally outsell a boring, low quality bag. There are many cities, counties and states that are passing legislation banning single use plastic bags. When required to buy and use a reusable bag, consumers are going to want one that they are excited to carry and that will last. Turn what was formerly an expense into one that generates a profit.

BRANDED BAG PROGRAM

We developed our Branded Bag Program to fill many needs in multiple markets. We can add your logo to any of the designs you will find on the following pages (placement varies). Do you have your own design or not interested in any shown here? Then contact us for a completely custom bag.

BAG SIZES & SPECIFICATIONS

Pick Your Size, Colors, Design, Logo Placement and Quantities



Need a Custom Size? We Can Do That Too!



FOREMOST
REUSABLE
BAG 

 FOR OVER FORTY YEARS
FOREMOST
TARP CO.

1-800-854-8284
www.foremosttarp.com
www.foremostbags.com